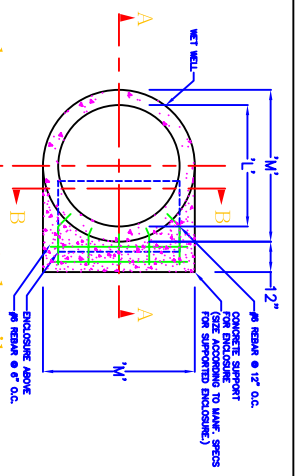
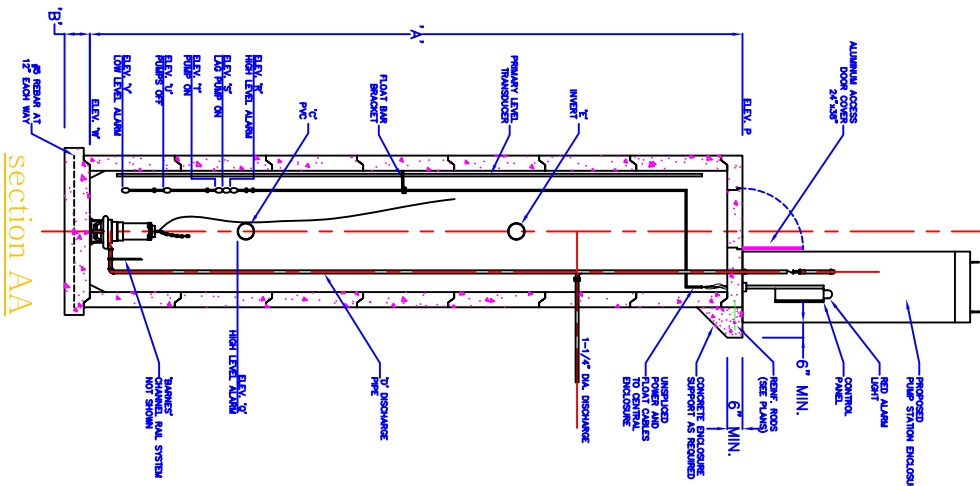


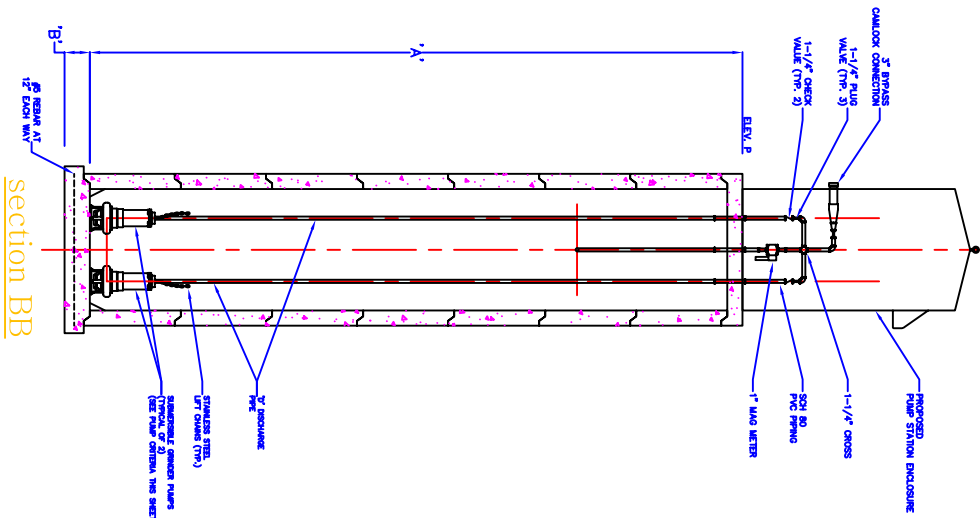
top view



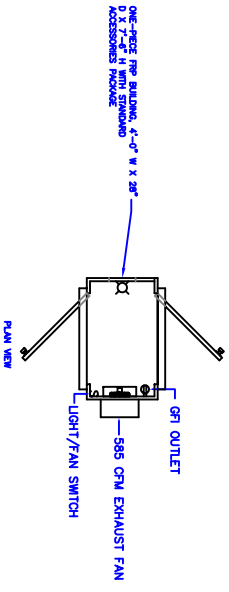
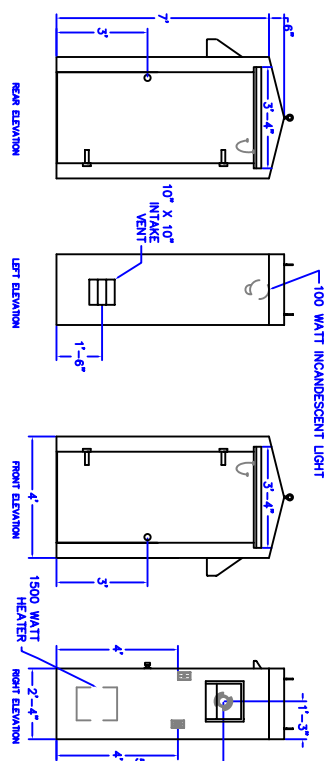
enclosure support detail



section AA



section BB



pump station enclosure

| PUMPING STATION DIMENSIONS                                                                              |           | ACCESSORIES AND OPTIONS SPECIFICATIONS |                | NOTES                                                                                                                                                                                                                                     |
|---------------------------------------------------------------------------------------------------------|-----------|----------------------------------------|----------------|-------------------------------------------------------------------------------------------------------------------------------------------------------------------------------------------------------------------------------------------|
| ITEM                                                                                                    | DATA      | PART                                   | SPECIFICATIONS |                                                                                                                                                                                                                                           |
| 1                                                                                                       | ENCLOSURE | FRP                                    | FRP            | 1) CHECK ALL DIMENSIONS AGAINST MANUFACTURER'S DRAWINGS ON ALL PARTS. DIMENSIONS SHALL BE AS SHOWN UNLESS OTHERWISE NOTED.<br>2) REVISIONS SHALL BE SHOWN IN THE REVISIONS COLUMN.<br>3) BASE OF WELL SHALL CONSIST OF 4000 PSI CONCRETE. |
| 2                                                                                                       | ENCLOSURE | FRP                                    | FRP            |                                                                                                                                                                                                                                           |
| 3                                                                                                       | ENCLOSURE | FRP                                    | FRP            |                                                                                                                                                                                                                                           |
| 4                                                                                                       | ENCLOSURE | FRP                                    | FRP            |                                                                                                                                                                                                                                           |
| 5                                                                                                       | ENCLOSURE | FRP                                    | FRP            |                                                                                                                                                                                                                                           |
| 6                                                                                                       | ENCLOSURE | FRP                                    | FRP            |                                                                                                                                                                                                                                           |
| 7                                                                                                       | ENCLOSURE | FRP                                    | FRP            |                                                                                                                                                                                                                                           |
| 8                                                                                                       | ENCLOSURE | FRP                                    | FRP            |                                                                                                                                                                                                                                           |
| 9                                                                                                       | ENCLOSURE | FRP                                    | FRP            |                                                                                                                                                                                                                                           |
| 10                                                                                                      | ENCLOSURE | FRP                                    | FRP            |                                                                                                                                                                                                                                           |
| MANUFACTURER & ASSOCIATES COMPANY, INC.<br>1200 South Olathe<br>Olathe, KS 66042<br>Phone: 913-763-0770 |           |                                        |                |                                                                                                                                                                                                                                           |